

Manual Equipment Potato Chipper - 11 mm with Grid and Pressure Block

ITEM # _____

MODEL # _____

NAME # _____

SIS # _____

AIA # _____



601461 (CF411)

Potato Chipper - 11 mm with
Grid and Pressure Block

Short Form Specification

Item No. _____

Compact manual potato chipper. Cast-iron body. Polished aluminium guide chute. Removable nylon pressure block with a stainless steel cutter block. Long lever reduces the force required to cut the potatoes. Three different cross sections of chips are possible by changing the cutting grid and pressure block. Cleaning is made easier thanks to the use of polished aluminium and the easily removable parts which are in contact with the potatoes. Can be installed on a table or wall console. Supplied with 11mm grid and pressure block.

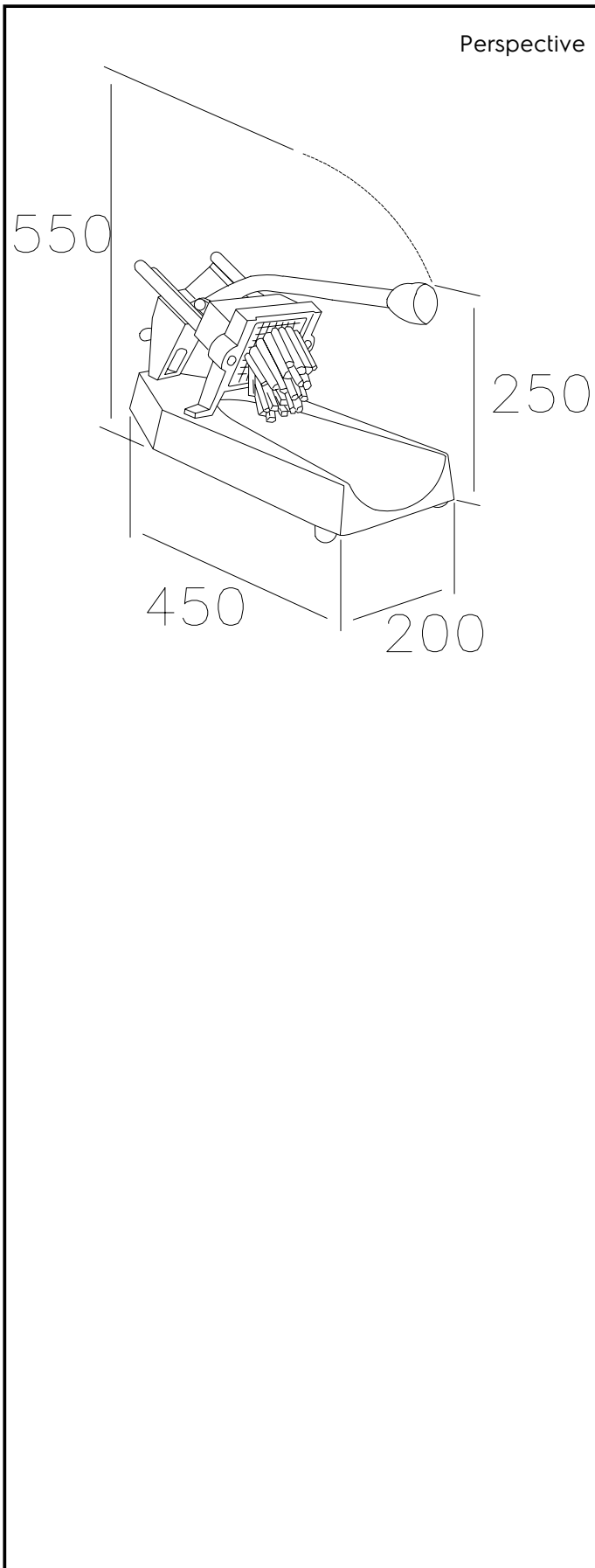
Main Features

- On table or wall installation.
- Supplied with 11 mm grid and pressure block, without base (optional accessory).
- Long lever reduces the force required to cut the potatoes.
- Three different cuts are possible by changing the cutting grid and pressure block.
- Cleaning is made easier thanks to the use of polished aluminium and the easily removable parts which are in contact with the food.

Construction

- Cast-iron body.
- Polished aluminium guide chute.
- Removable nylon pressure block with a stainless steel cutter block.

APPROVAL: _____



Key Information:

External dimensions, Width:	
601461 (CF411)	200 mm
External dimensions, Depth:	450 mm
External dimensions, Height:	250 mm
Shipping weight:	3 kg